



# Scissor lift

Item No.: TWSA-40

kg 4000 kg
↑ 1,90 m
⚡ 400 V
⚙ Autom.



Ultra flat construction

### Description

The drive-on TWSA-40 scissor lift for surface mounting has an ultra-flat construction (only 200 mm height) and is therefore also ideally suited for sports cars. The integrated wheel free lift allows the complete vehicle (car) to be lifted with all four wheels free for wheel alignment. A ratchet system for the safety catches. Furthermore, the TWSA-40 is also ideally suited as a service lift and headlight test station.

### Features

- 1A Quality built with CE-Certificate
- Manufactured in accordance to ISO 9001
- CE-Stop and signal tone when lowering (foot protection)
- Hydraulic synchronous control (cylinder displacement principle)
- Automatic safety-lock-release system
- High quality solid construction
- Wheel free lift with extensions for a longer lifting area
- Emergency lowering valve
- Compressed air of 4-8 bar required
- Ramp with anti roll off safety

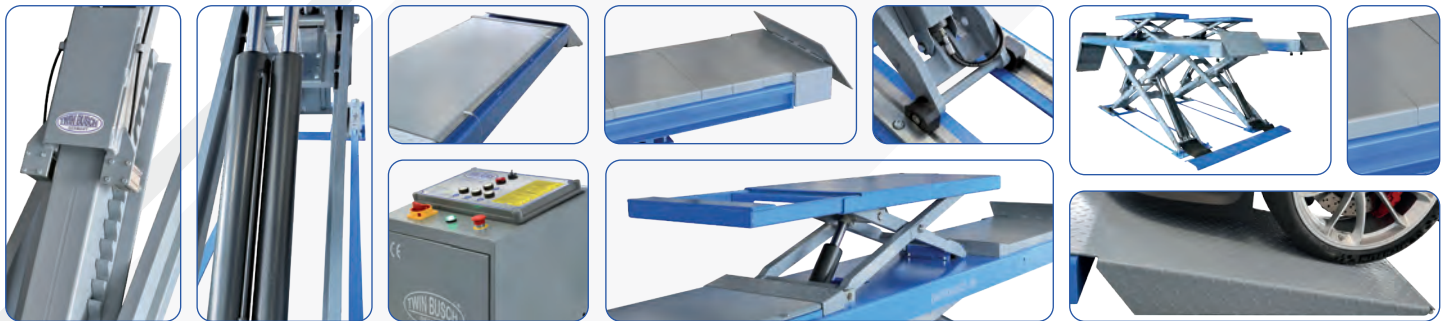
### Delivery contents

- Lift incl. Power unit
- Axle free jack | Rubber blocks
- Sliding plates
- 6 cover plates (turntable is optional)
- English instruction manuals
- Examination book | CE-Certificate
- **Product video online**

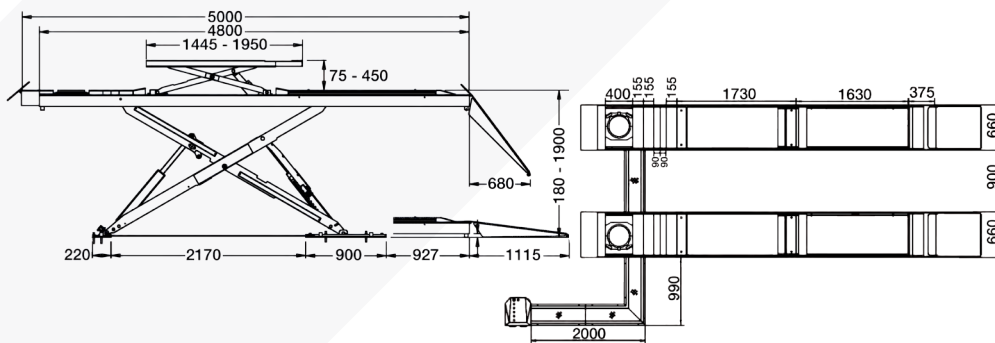
### Video



Product video



### Dimensions

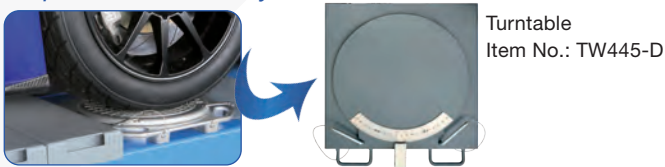


### Technical Data

Lifting capacity	4000 kg
Lifting height max.	1900 + 450 mm
Platform L./ W.	5000/660 mm
Lifting time (approx.)	45/30 sec.
Power supply	400 V / 3 Phase
Motor power	2,2 kW
Fusing	16 A / type C
Weight (approx.)	2450 kg

Further information to be found at [www.twinbusch.co.uk](http://www.twinbusch.co.uk)

### Optional accessory



Turntable  
Item No.: TW445-D

Further accessories can be found at [www.twinbusch.co.uk](http://www.twinbusch.co.uk)