

# 1-Post-Lift | mobile

Item No.: TW125M / TW125M-G

**kg 2500 kg** **↑ 1,93 m** **⚡ 230 V** **🔧 Semi-auto.**

## Description

Mobile, ultra flat 1-post lift.

NEW: The extremely low frame height of only 85 mm and a lowest lifting height of just 98 mm. Our TOP model 1-post lift is practical in every way. The one post mobile lift is ideal for use in tight spaces; it can be moved as easily as a pallet truck on all smooth hard surfaces.

## Features


- 1A Quality built with CE-Certificate
- Manufactured in accordance to ISO 9001
- Hydraulic cylinder for powerful lifting
- Adjustable lifting pads
- Telescopic lifting arms
- Mechanical safety-locks
- Manual safety lock release
- Special rolled section columns
- Aluminum-motor with 24 V -Control box
- Column chain guard
- For use in tight spaces
- Easy to use control unit (Safety rate to IP 54)


## Delivery contents

- Lift incl. Power unit
- English instruction manual
- Examination book
- CE-Certificate
- **Assembly video online**
- **Product video online**



## Choice of colour:

 **RAL 5015**  
TW125M

 **RAL 7016**  
TW125M-G



Ultra-flat construction



## Videos

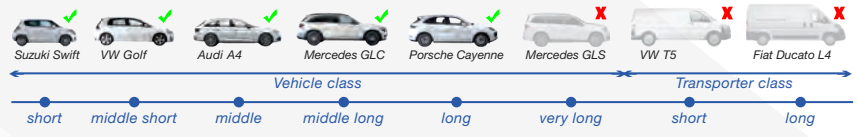


Product video

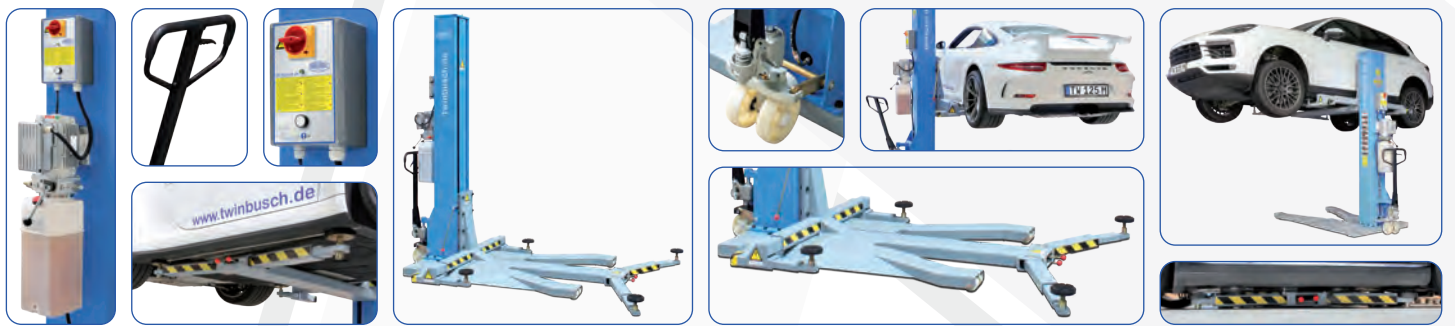


Assembly video

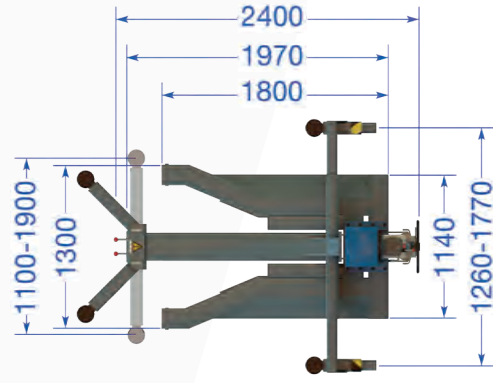
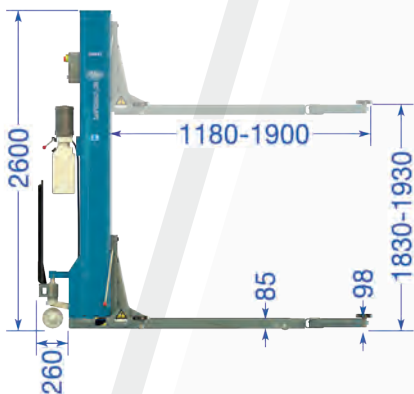
## Vehicle type / Wheelbase



\*Terms & Condition see page 37



## Dimensions



## Technical Data

Lifting capacity	2500 kg
Lifting height max.	1830 - 1930 mm
Lowest lifting point	98 mm
Lifting, lowering time (approx.)	35/30 sec.
Power supply	230 V
Motor power	2,2 kW
Fusing	16 A / type C
Weight (approx.)	720 kg

## Optional accessory



Cross beams for the 1-Post-Lift  
Item No.: TW125-Q  
(2 pcs. in the set)

Set of cross beams for lifting vehicles with narrow frames such as off-road vehicles or pre-war vintage cars.

Further accessories can be found at [www.twinbusch.co.uk](http://www.twinbusch.co.uk)